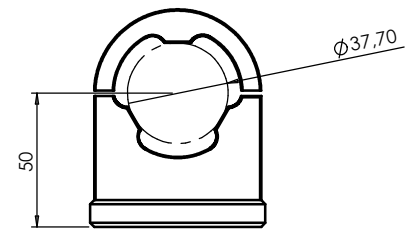
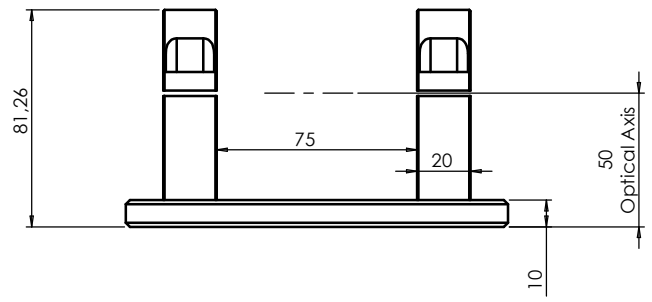
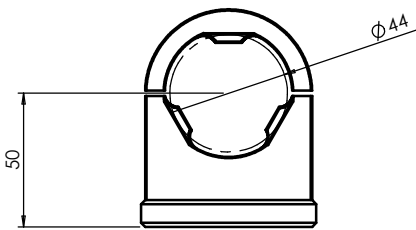
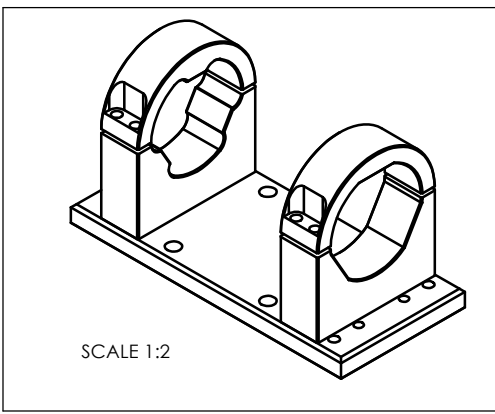
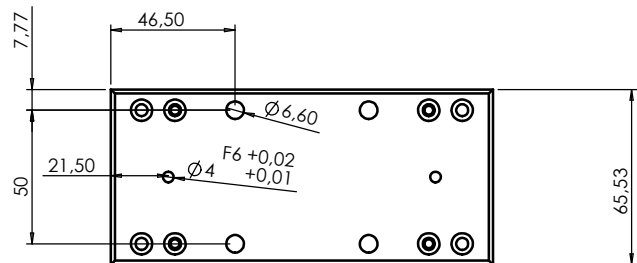


Rev No.	Description	Date	Name
A	Layout	17/09/12	



Material	N.A.			Mass	500 gr.	Scale	1:2
Surface treatment	N.A.			Project-Prod.item/Instrument		TC16M012	
Geometrical tolerance (ISO 2768-2)			Class	K	Undimensioned bevels		
Linear tolerance (ISO 2768-2)			Class	m	1x45°		
0.5	>3±	>6±	>30±	>120	>400±	>1000	>2000
±3	6	30	120	±400	±1000	±2000	±4000
±0.1	±0.1	±0.2	±0.3	±0.5	±0.8	±1.2	±2
Undimensioned radii			R 0.5				
Description			Clamp 16M018				
Drawing No.			Date		Name		
20102-0-A			17/09/12				
Sheet			Designed		17/09/12		
1/1			Draw		17/09/12		
Reproduction forbidden without specific authorization			Checked		X		
OPTO ENGINEERING S.r.l. - 46100 Mantova Italy - Via Cremona, 29/2 - Tel +39 0376 263525 - e-mail: info@opto-engineering.com - http://www.opto-engineering.com							