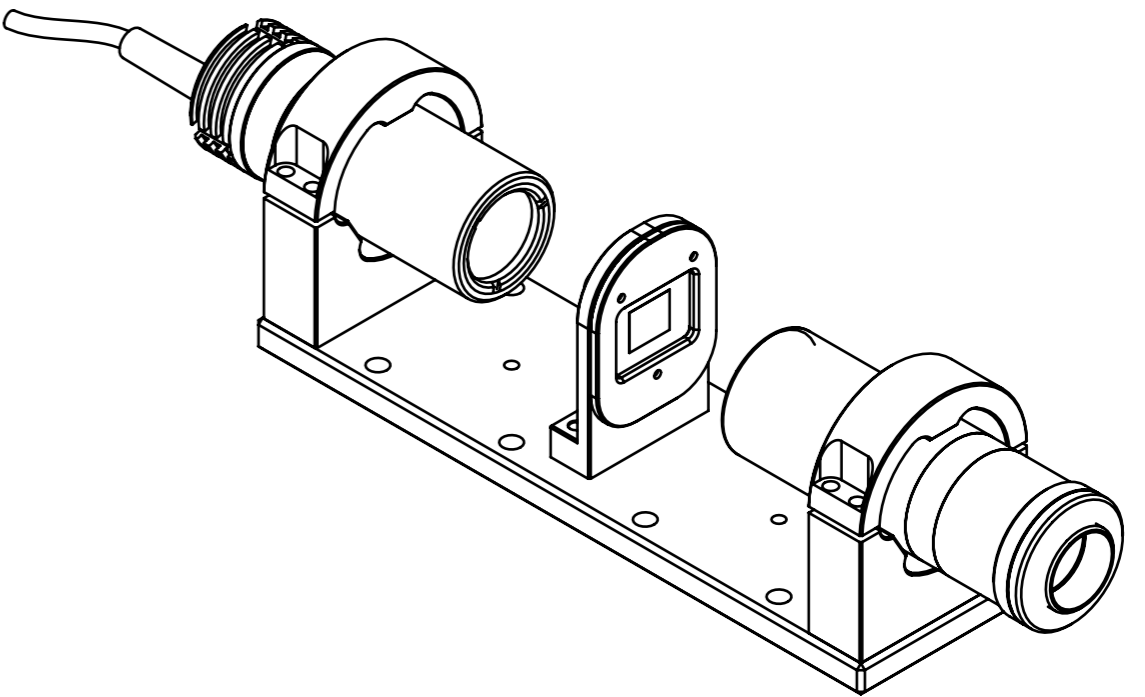
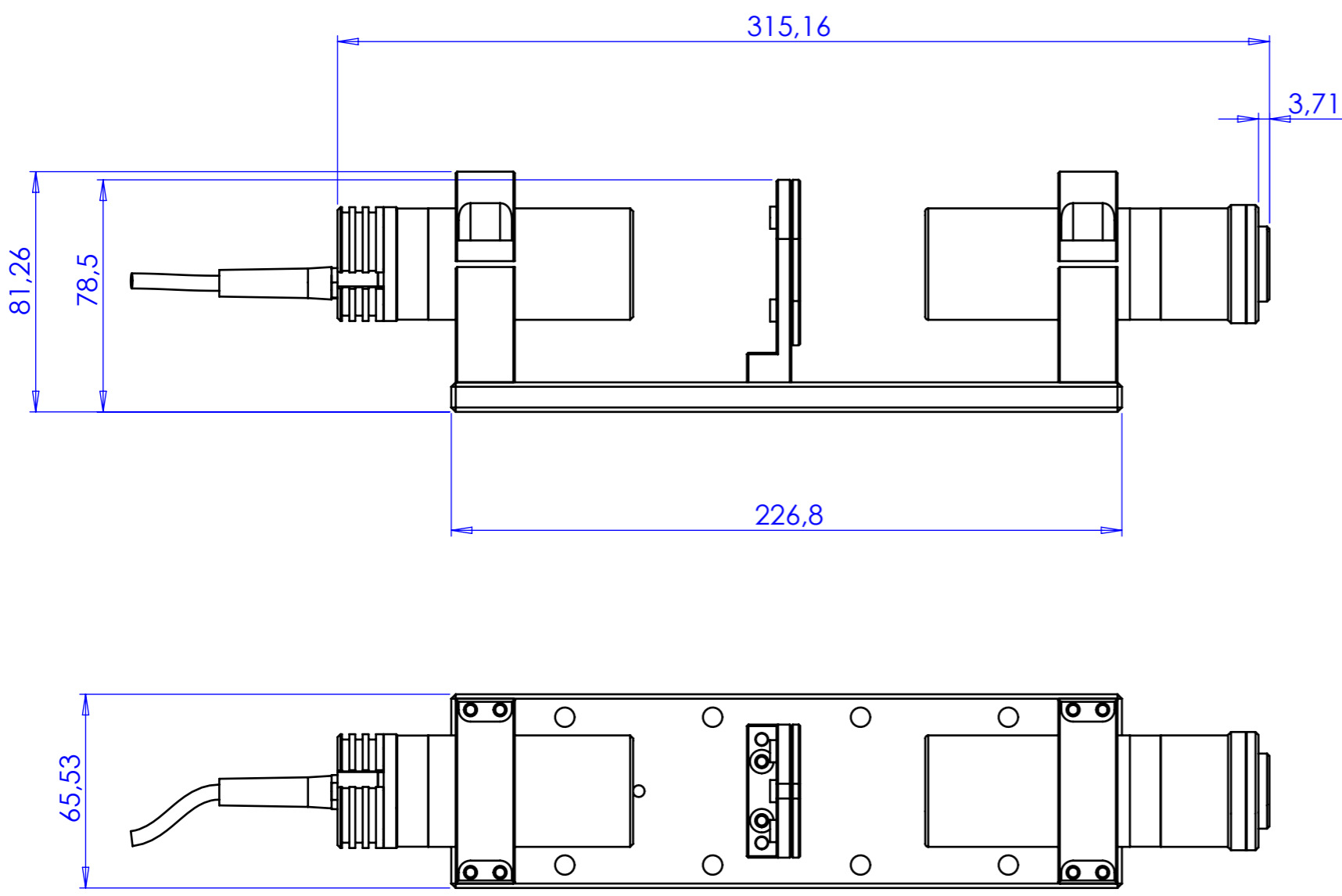


Rev No.	Description	Date	Name



A
B
C
D

A
B
C
D

Material N.A.			Mass 1250 g	Scale 1:2
Surface treatment N.A.			Part No. CO22471	
Geometrical tolerance (ISO 2768-2) Linear tolerance (ISO 2768-2)			Description TCBENCH016	
0.5 ±3 ±0.1	>3÷ 6 ±0.1	>6÷ 30 ±0.2	>30÷ 120 ±0.3	>120 ±400 ±0.5
>400÷ 1000 ±0.8	>1000 ±2000 ±1.2	>2000 ±4000 ±2	Class K m Undimensioned bevels 0,5x45° Undimensioned radii R 0.5	Date 30/05/2014 Name Vasconetto
OPTO ENGINEERING THE TELECENTRIC COMPANY all dimensions are in mm OPTO ENGINEERING S.r.l. - Mantova Italy - Tel. +39 0376 699111 - www.opto-engineering.com			Drawing No. DP 22471 -A	
			Sheet 1/1	
			Secret and confidential - All rights reserved - No copy, dissemination or circulation is allowed unless specifically authorized in writing by OPTO ENGINEERING S.r.l. - Any violation shall be legally prosecuted.	