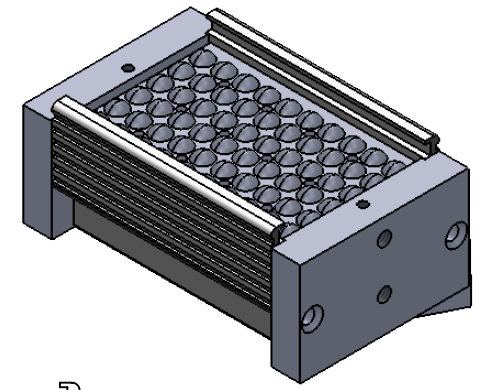
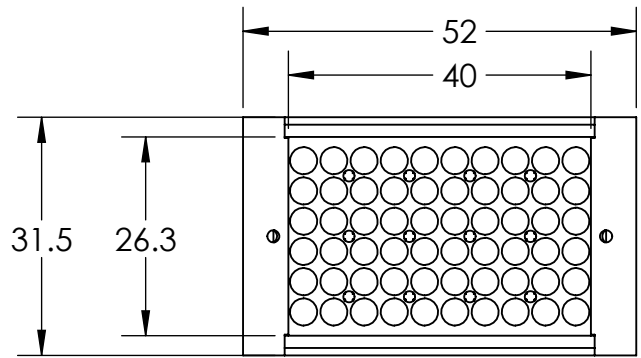


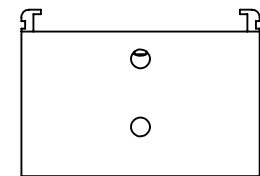
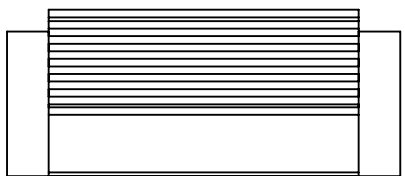
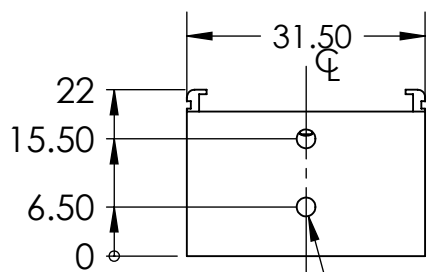
D

D

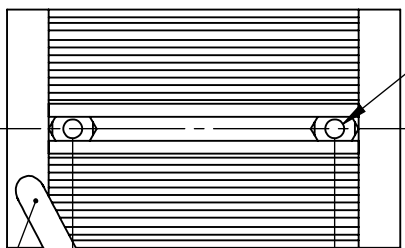


C

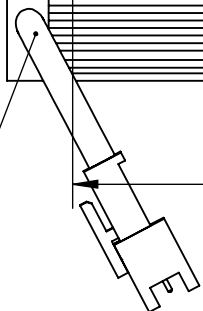
C



2X TAP M3  $\nabla$  4  
(ON 2 SIDES)



CABLE &  
CONNECTOR




ADJUSTABLE  
RANGE  
34.6

B

B

A

A

	DESIGN BY	FL LUEI	UNIT: MM	PRODUCT SERIES: LTZPFL SERIES	
	CHECK BY	KB TAN			
	DATE	31/05/2018	REVISION:	TITLE	DRAWING LAYOUT
	MATERIAL	-	SCALE:	PART NO	LTZPFL040-00-6-R-24V
	FINISHING	-	1:1	DWG NO	-
QTY	-				SHEET 1 OF 1